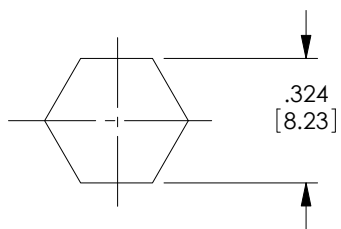
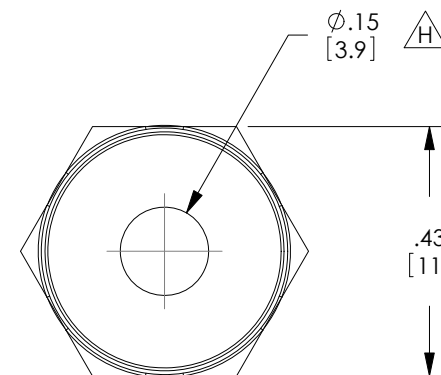
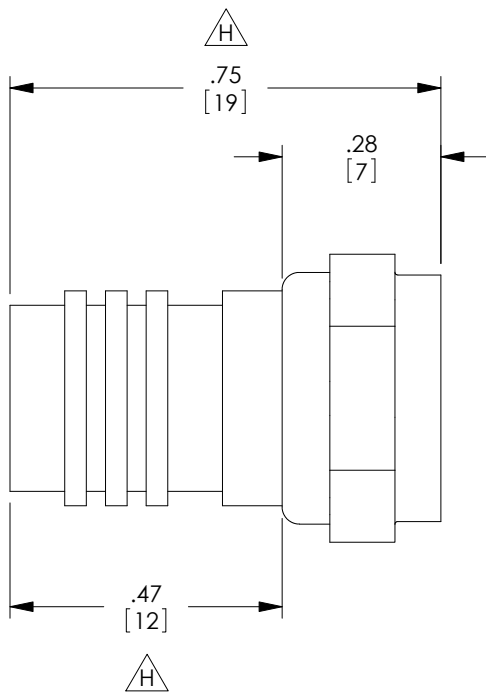


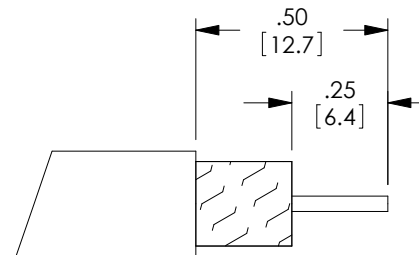
THE INFORMATION CONTAINED IN THIS DRAWING IS THE SOLE PROPERTY OF L-COM, INC. ANY REPRODUCTION IN PART OR WHOLE WITHOUT THE WRITTEN PERMISSION OF L-COM, INC. IS PROHIBITED.

REVISIONS			
REV	DESCRIPTION	DATE	APPROVED
F	ECN 3135: UPDATE DWG FORMAT	12/31/07	D.GRIFFIN
G	ECN 3457: REVISE CRIMP FROM .360 TO .324	7/18/08	D.FRISIELLO
H	ECN 8018: RE-DIMENSIONED TO NEW VENDOR DATA SHEET	7/14/15	D.FRISIELLO

DESCRIPTION	MATERIAL	FINISH
BODY 1	BRASS	NICKEL PLATE
BODY 2	BRASS	NICKEL PLATE
NUT	BRASS	NICKEL PLATE



RECOMMENDED CRIMP SIZE



RECOMMENDED STRIPPING DIMENSIONS

NOTES:

ELECTRICAL:
CHARACTERISTIC IMPEDANCE: 75 OHMS

PACKAGING:
COMPONENT SHALL BE INDIVIDUALLY PACKAGED IN ACCORDANCE WITH L-COM SPECIFICATION PS-0031.

APPLICATION:
RG58 CABLE ASSEMBLIES

REGULATORY COMPLIANCE:
CE2011/65/EU(RoHS DIRECTIVE)



UNLESS OTHERWISE SPECIFIED, DIMENSIONS ARE IN INCHES [mm] OVERALL CABLE LENGTH TOLERANCE: ≤12 [305] = +1 [25] / -0 >12 [305] ≤60 [1524] = +2 [51] / -0 >60 [1524] ≤120 [3048] = +4 [102] / -0 >120 [3048] ≤300 [7620] = +6 [152] / -0 >300 [7620] = +5% / -0%	APPROVALS	DATE		45 BEECHWOOD DRIVE NORTH ANDOVER, MA 01845
	DRAWN BY C.BERUBE	01/25/07		CATEGORY
ALL OTHER DIMENSIONAL TOLERANCES: .X = ± .2 [5.08] .XX = ± .02 [51] .XXX = ± .005 [13]	CHECKED BY J.ROBERTS	01/25/07	PRODUCT DESCRIPTION	
	APPROVED BY J.ROBERTS	01/25/07	CONN INDOOR F M RG59 CRIMP	
PROJECTION 	CONFIGURATION DETAILS OF UNDIMENSIONED FEATURES MAY VARY		SIZE A	FSCM NO. 43321
	COLOR VARIATIONS MAY OCCUR		DWG. NO. BAC-CFS59U	REV. H
			SCALE: NONE	CAD FILE: BAC-CFS59U.SLDDRW
			SHEET 1 OF 1	